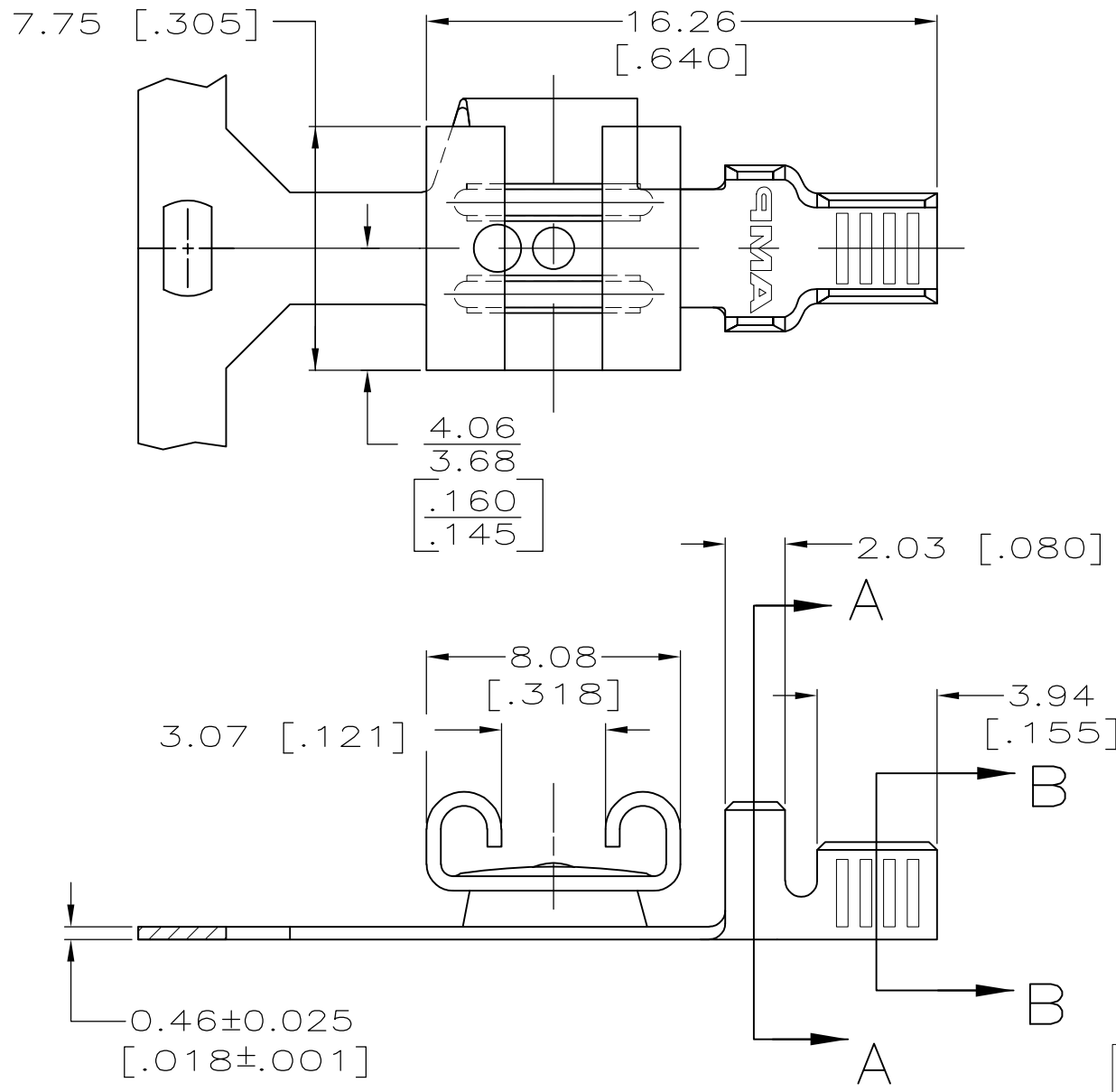
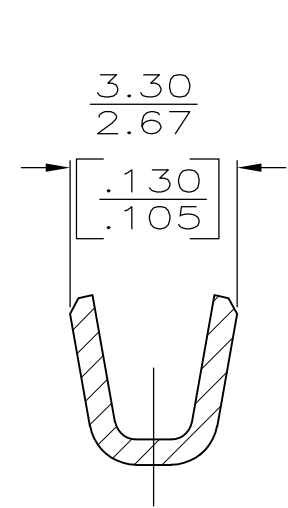


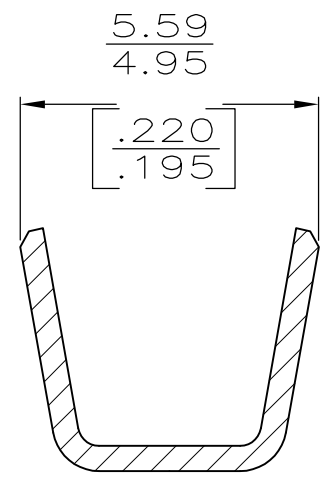
LOC	DIST	REVISIONS				
P	LTR	DESCRIPTION	DATE	DWN	APVD	
AF	50	C	REVISED PER ECR-11-018063	26DEC11	KH PD	



1 CONTINUOUS STRIP ON REELS.



SECTION B-B
SCALE 8:1



SECTION A-A
SCALE 8:1

2.29-3.30 DIA [.090-.130] DIA	[#20-#16] AWG	0.81 [.032]	63137-1
INSUL RANGE	WIRE SIZE	MATING TAB THK ±0.025 [.001]	PART NO

THIS DRAWING IS A CONTROLLED DOCUMENT.		DWN JR RUTH 9/9/94	TE Connectivity		
DIMENSIONS: mm [INCHES]		CHK MS FEHER 9/9/94			
TOLERANCES UNLESS OTHERWISE SPECIFIED: 0 PLC ± - 1 PLC ± - 2 PLC ± 0.25 [.010] 3 PLC ± - 4 PLC ± - ANGLES ± -		APVD P DESANTIS 9/9/94	NAME RECEPTACLE, FASTON™ FLAG, REVERSIBLE, 6.35 [.250] SERIES		
MATERIAL T3 PHOS BRZ		FINISH TIN	PRODUCT SPEC -	APPLICATION SPEC 114-2032	RESTRICTED TO -
		WEIGHT -	SIZE A3	CAGE CODE 00779	DRAWING NO C-63137
CUSTOMER DRAWING			SCALE 5:1	SHEET 1 OF 1	REV C